

AA HARRIS AERIAL



- Up To 3 Hour Flight Time
- 5 Kg Payload Capacity
- 3500 Meter Service Ceiling
- 2400 Watt Hydrogen Generator
- DC 12S (49 V) Power Output
- 5.3, 12, 24, & 48 Volt Accessory Power

Carrier H6 Hydrone

Phoenix LIDAR Optional

The Harris Aerial Carrier H6 Hydrone demonstrates an elemental shift in long endurance multirotor power systems.

Users are now able to benefit from the flight times of our hybrid systems while maintaining the quiet operation of our electric systems, opening up Areas of operation that were previously noise-restricted without sacrificing flight time. Hydrone changes the rules.

GCS Options

As our Carrier models cater to different needs so do our GCS solutions. Whether your needs dictate the use of a rugged 19" GCS or something more portable like our brand new hand held 8" GCS, the Atlas.

HereLink Blue/Black options are also available (Non-NDAA 848 Compliant).

Harris C-GCS

HOTAS Layout

- 12 Channel Functionality
- Sunlight Viewable Display
- 2-AXIS Payload & Gimbal Controls
- 6-POS/3-POS/2-POS/Guarded/
- Button/Rotary
- NDAA Compliant



HereLink Blue

- Handheld
- Touchscreen
- HD Real-Time Video
- Low Latency
- NDAA Compliant



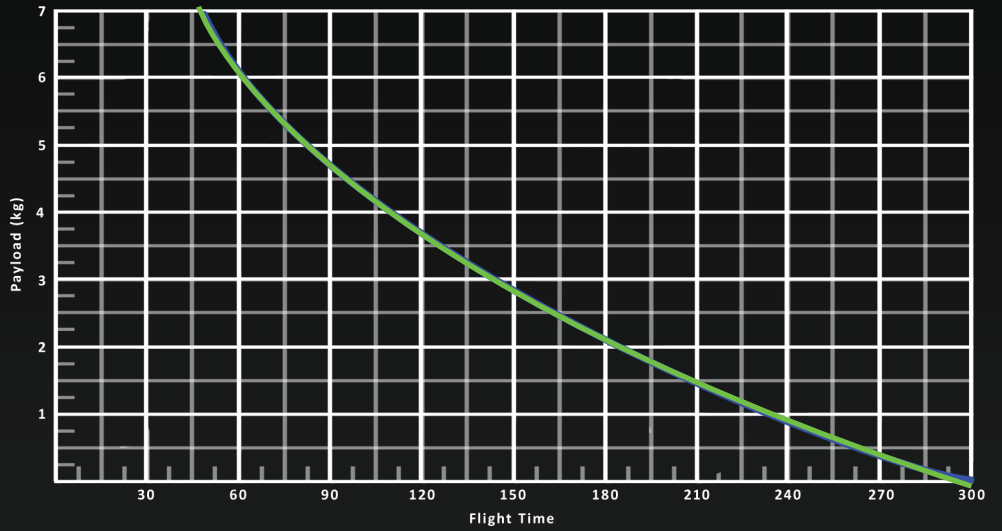
✉ info@harrisaerial.com

www.harrisaerial.com

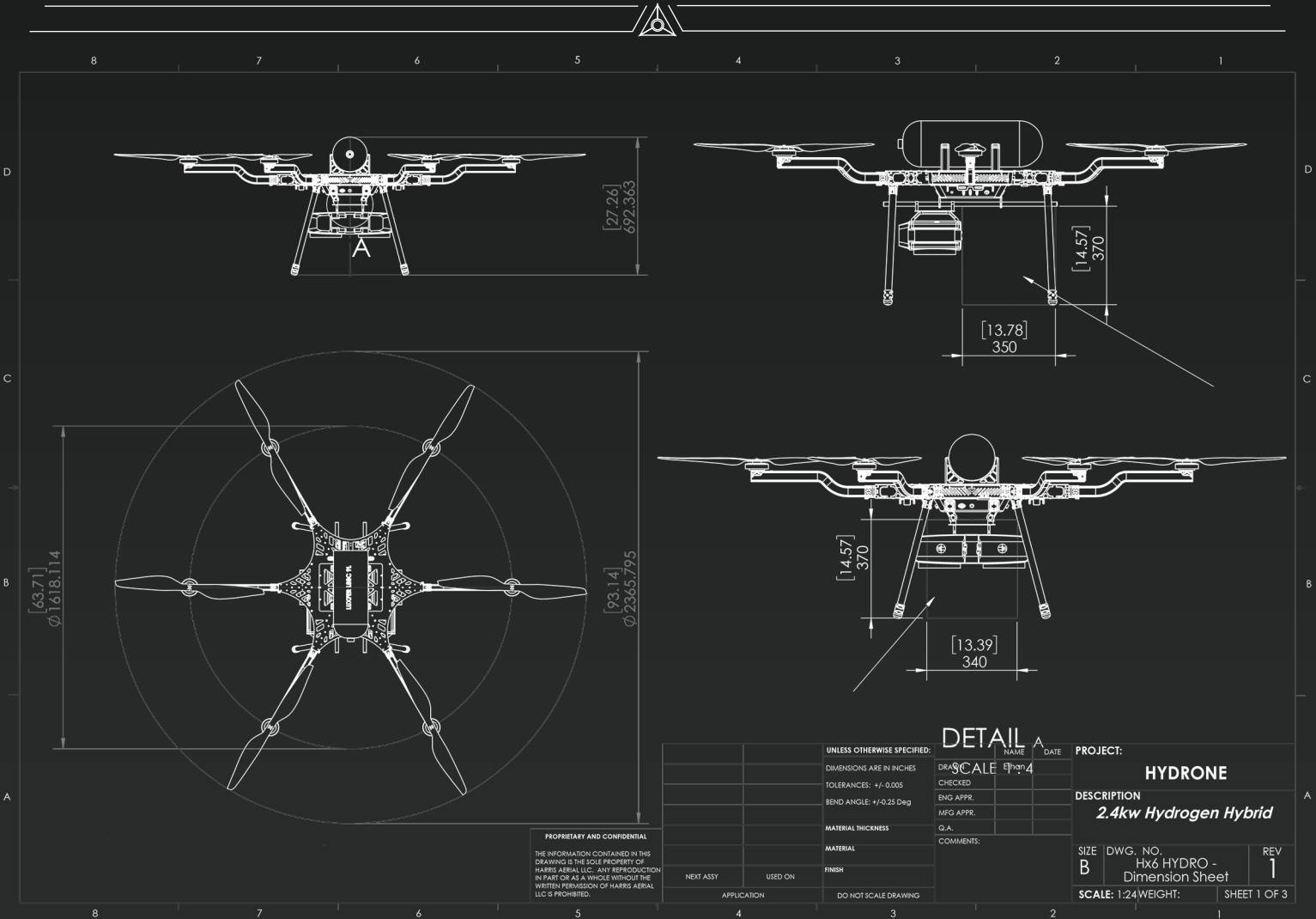
☎ (407) 725-7886

AA HARRIS AERIAL

Carrier H6 Hydronne Phoenix LIDAR Optional



May Vary Based on Operating Environment



PROPRIETARY AND CONFIDENTIAL
 THE INFORMATION CONTAINED IN THIS DRAWING IS THE SOLE PROPERTY OF HARRIS AERIAL LLC. ANY REPRODUCTION IN PART OR AS A WHOLE WITHOUT THE WRITTEN PERMISSION OF HARRIS AERIAL LLC IS PROHIBITED.

UNLESS OTHERWISE SPECIFIED:		DETAIL NAME DATE	PROJECT:
DIMENSIONS ARE IN INCHES	DRAWN SCALE E1/16" = 1"		HYDRONE
TOLERANCES: +/- 0.005	CHECKED		DESCRIPTION
BEND ANGLE: +/- 0.25 Deg	ENG APPR.		2.4kw Hydrogen Hybrid
MATERIAL THICKNESS	MFG APPR.		SIZE DWG. NO. REV
MATERIAL	Q.A.		B Hx6 HYDRO - 1
FINISH	COMMENTS:		SCALE: 1:24 WEIGHT: SHEET 1 OF 3
NEXT ASSY	USED ON		
APPLICATION	DO NOT SCALE DRAWING		